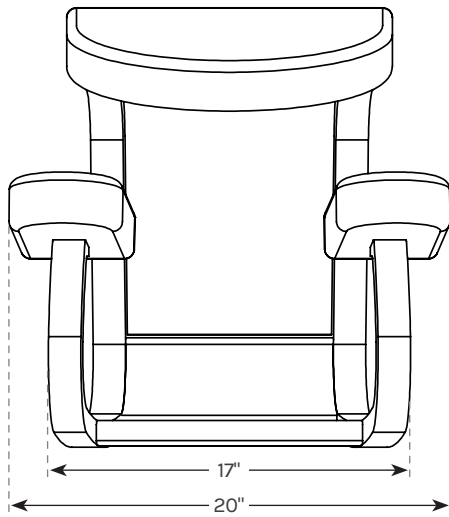


Ergonomic Kneeling Chair

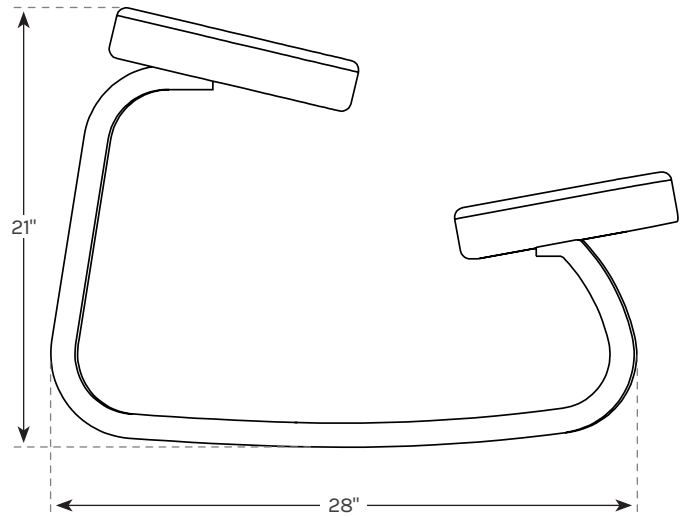
CHR463

Specifications

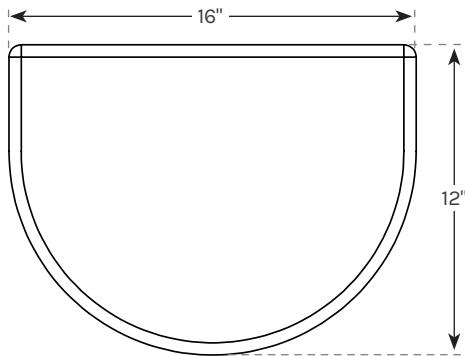
FRONT VIEW



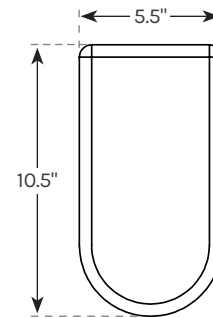
SIDE VIEW



SEAT CUSHION



KNEE CUSHION



Warranty	15 year warranty on all UPLIFT Desk products. upliftdesk.com/warranty/
Weight Capacity	200 lb (90.7 kg)
Fabric Colors	Blue, Gray

Copyright Notice: This guide is a component of this UPLIFT Desk product. This guide is a part of the scope of delivery, even if the item is resold. This guide is also available on the UPLIFT Desk website: [upliftdesk.com](https://www.upliftdesk.com). These specifications are subject to United States copyright law.